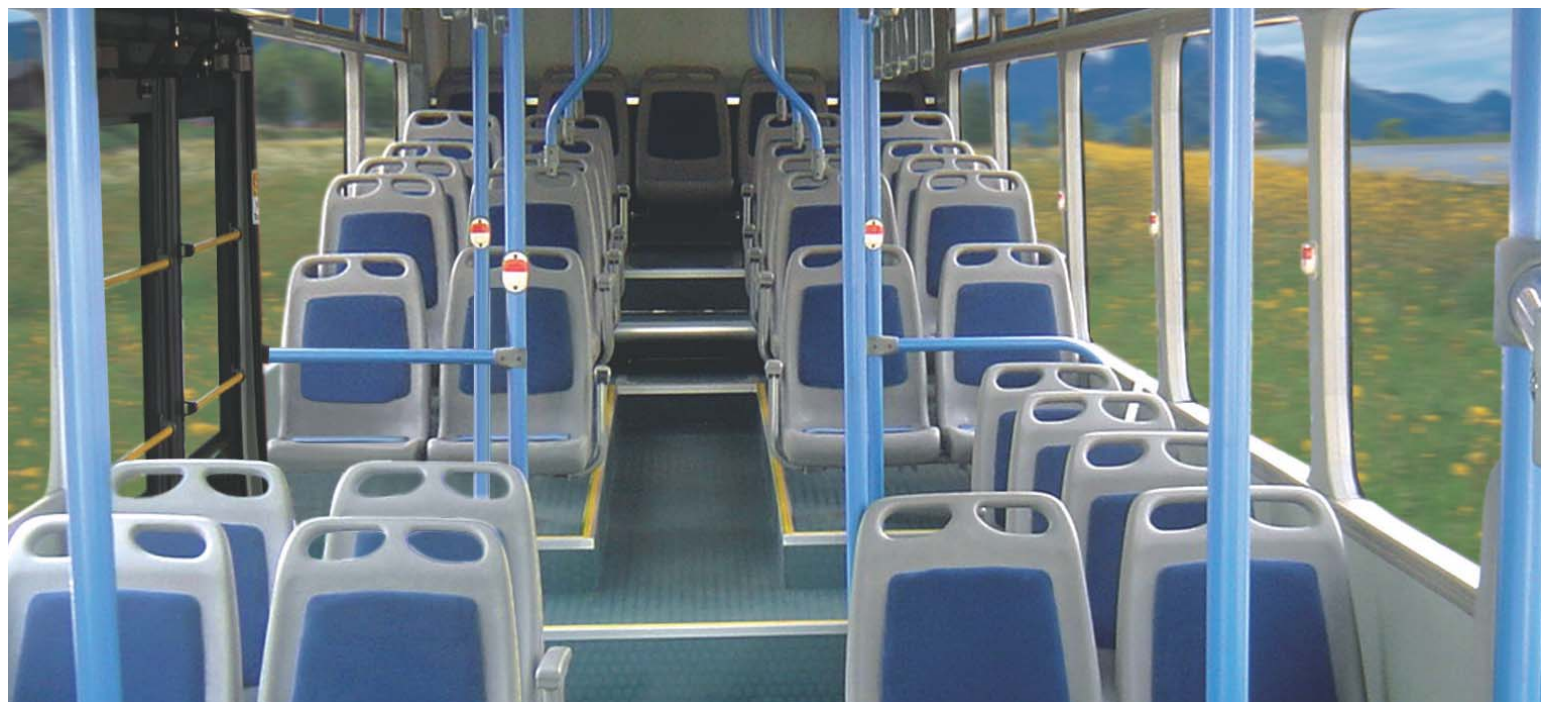




2 x 2 / 2 x 1 Seat arrangement



2 x 2 Seat arrangement

INTERIOR



Tilt & Telescopic steering wheel



Wheel chair lift switch (option)



Acryl type sunvisor



Driver solar screen



Wheel chair space



Gradual parking brake (option)



Air conditioner louver (option)

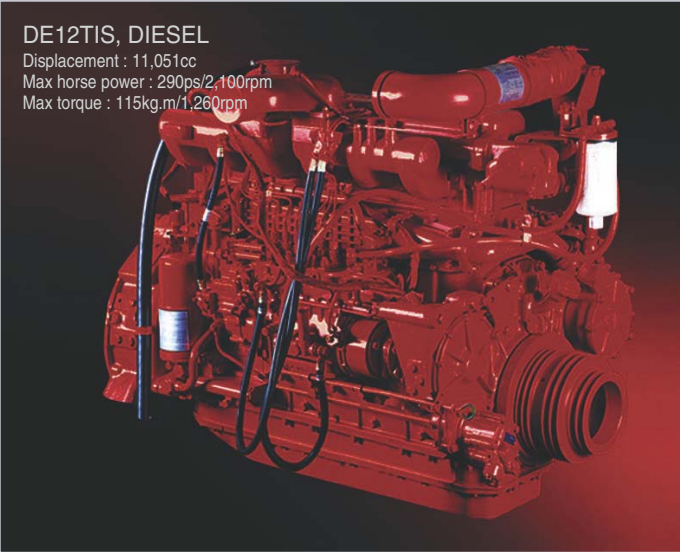


Driver separator - Partition type (option)

POWER

DE12TIS, DIESEL

Displacement : 11,051cc
 Max horse power : 290ps/2,100rpm
 Max torque : 115kg.m/1,260rpm



Engine

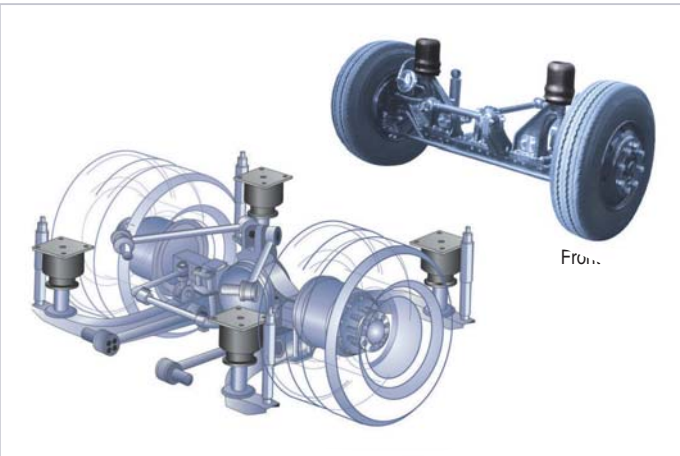
DL 08, DIESEL(EURO III)

Displacement : 7,640cc
 Max horse power : 300ps/2,200rpm
 Max torque : 115kg.m/1,200rpm

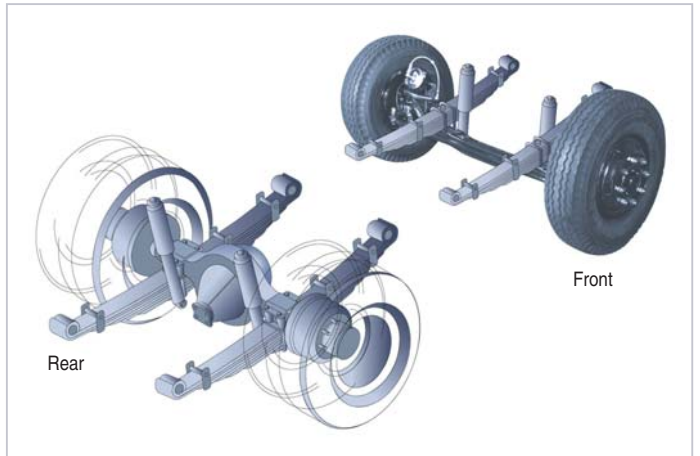


Engine (option)

SUSPENSION



FRT / RR wide air suspension(BC212MA)



Leaf suspension(BC211M)

EXTERIOR



3Doors(BC212MA)



Wheel chair lift (option)



Engine room



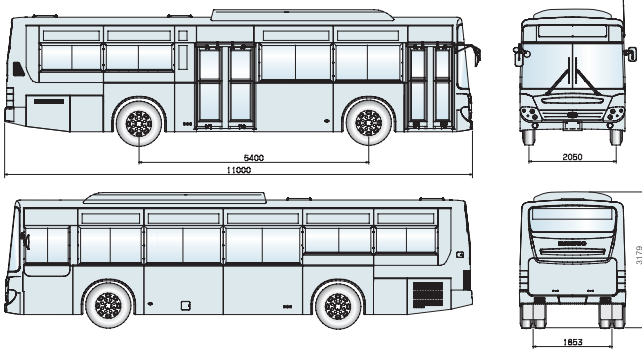
2 step entrance (option)



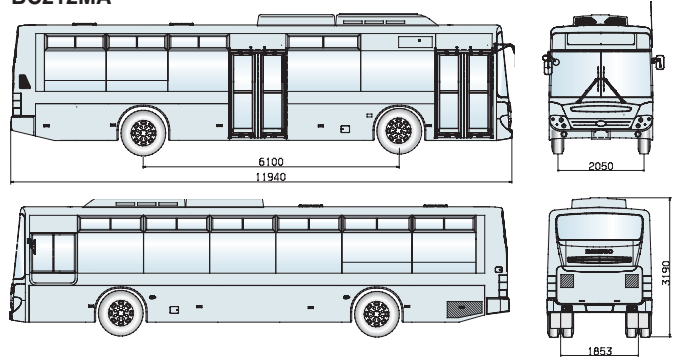
Rear window - steel plate (option)

BC211M / BC211MA / BC212MA STANDARD SPECIFICATION

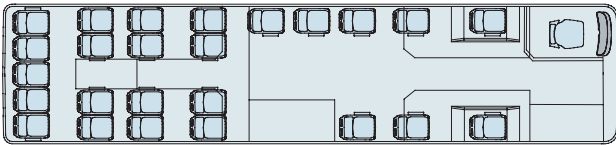
BC211M / BC211MA



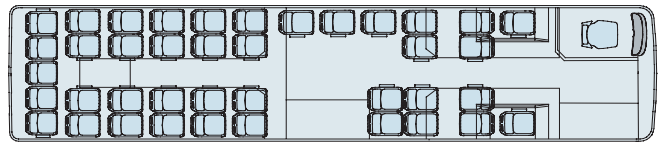
BC212MA



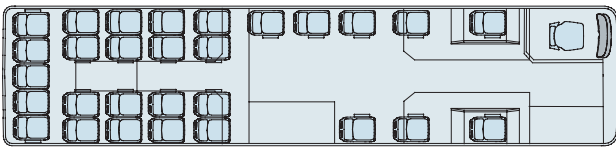
25+1



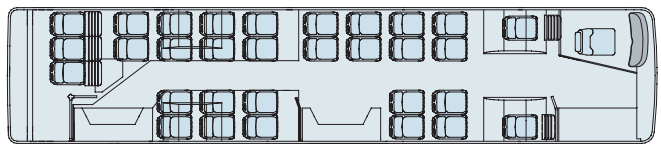
40+1



29+1



31+1



Major Specifications

BODY STRUCTURE	RIVETLESS SKELETON, STEEL BODY
HANDLE POSITION	LEFT HAND DRIVE
ENGINE MOUNTING	REAR
PASSENGER CAPACITY	BC211M(MA) : 25(+50)+1 PERSONS BC212MA : 40(+44)+1 PERSONS

Transmission

GEAR BOX	5FORWARD & 1REVERSE					
	1st	2nd	3rd	4th	5th	REV.
	6.589	4.002	2.430	1.507	1.000	6.888

External Dimensions (mm)

	BC211M(MA)	BC212MA
OVERALL LENGTH	11,000	11,940
OVERALL WIDTH	2,500	2,500
OVERALL HEIGHT	3,179	3,190
WHEEL BASE	5,400	6,100
BODY OVERHANG (FRONT)	2,440	2,680
BODY OVERHANG (REAR)	3,160	3,160
TREAD (FRONT)	2,050	2,050
TREAD (REAR)	1,853	1,853

Suspension

BC211M
SEMI-ELLIPTICAL ALLOY STEEL HEAVY DUTY LEAF SPRING WITH HYDRAULIC DOUBLE ACTING TELESCOPIC SHOCK ABSORBER STABILIZER BAR
BC211MA / BC212MA
AIR SPRING (BC211MA : FRT WIDE, BC212MA : FRT/RR WIDE)
DOUBLE ACTING SHOCK ABSORBER
STABILIZER BAR

Internal Dimensions (mm)

	BC211M(MA)	BC212MA
INSIDE LENGTH	10,270	11,170
INSIDE WIDTH	2,380	2,380
INSIDE HEIGHT	2,323	2,323

Wheel & Tire

TIRE	11R22.5-16PR TUBELESS TYPE
WHEEL	8.25 X 22.5 WHEEL

Weight (kg)

	BC211M	BC211MA	BC212MA
PERMISSIBLE G.V.W	16,500	18,000	18,000
CURB WEIGHT	10,900	11,100	11,500
G.V.W	15,840	16,040	17,025

Steering

OPERATION	RECIRCULATED BALL WITH INTEGRAL POWER ASSISTED BY OIL
GEAR RATIO	22.4 : 1
STEERING COLUMN	TILT & TELESCOPIC
STEERING WHEEL	2 SPOKE WHEEL WITH HORN BUTTON

Performance

	BC211M(MA)	BC212MA
MAX SPEED	102km/h	102km/h
MIN TURNING RADIUS	10.4m	11.7m
GRADEABILITY(TAN θ)	0.33	0.31

Air Service

AIR PRESSURE	9.0kg/cm ²
AIR TANK CAPACITY	FRONT 25L, PARKING 35L REAR 35L, AUX. 25L
AIR TAP FOR TIRE INFLATION	
AIR DRYER	

Frame

SEMI MONOCOQUE TYPE

Engine

MODEL	DE12TIS, DIESEL
TYPE	4 CYCLE, WATER COOLED
NO. OF CYLINDER	6, IN-LINE
BORE & STROKE	123 X 155mm
DISPLACEMENT	11.051cc
MAX HORSE POWER	290ps/2,100rpm
MAX TORQUE	115kg.m/1,260rpm
COMPRESSION RATIO	17.1:1
AIR CLEANER	DRY SINGLE PAPER ELEMENT

Brake

SERVICE BRAKE	FULL AIR DUAL CIRCUIT BRAKE SYSTEM
DRUM SIZE	FRONT 410mm, REAR 410mm
LINING (w/t)	FRONT 155/19mm, REAR 220/19mm
LINING MATERIAL	NON-ASBESTOS
PARKING BRAKE	SPRING ACTUATOR AT REAR WHEEL SPRING CHAMBER TYPE
AUXILIARY BRAKE	EXHAUST BRAKE-AIR OPERATED

Clutch

TYPE	DRY SINGLE PLATE WITH COIL SPRING DAMPER
FACING DIMENSION	OUTSIDE DIAMETER 430mm, THICKNESS 5mm
MATERIAL	NON-ASBESTOS

BC211M / BC211MA / BC212MA STANDARD SPECIFICATION

Axle		Door	
FRONT AXLE TYPE	REVERSE ELLIOT 'I' BEAM BC211M : 6,000kg BC211MA/BC212MA : 7,500kg	ENTRANCE DOOR TYPE	FRONT / MIDDLE 2 SECTION INWARD DOUBLE GLIDING DOOR
CAPACITY		OPERATING	ELECTRICALLY CONTROLLED WITH AIR ASSIST
REAR AXLE TYPE	BANJO FULL FLOATING	Entrance Step	
CAPACITY	10,500kg	NUMBER OF STEP	1STEP(FRONT / MIDDLE)
FINAL GEAR RATIO	43/11(3.909) HYPOID	MATERIAL	FLOOR-CHECKED STEEL, WALL - PLAIN STEEL
		MOULDING	ALUMINUM
Fuel Tank		Floor	
BC211M(MA) : 200L		15mm THICKNESS PLYWOOD PLATE COVERED WITH TARAFLEX MAT (3.0mm, GREEN)	
BC212MA : 300L			
Horn		Audio	
ELECTRIC TYPE		STEREO W/O ECHO TYPE	AM / FM RADIO, CASSETTE STEREO, 7 SPEAKERS
		ANTENNA	SIDE ANTENNA
		STICK MIC & JACK	
Wiper Arm & Motor		Interior Equipments	
STEEL, VARIABLE SPEED (TIME DELAY RELAY)		DEFROSTER	HOT AIR
		STOP BUTTON BUZZER	NORMAL TYPE
		DESTINATION PLATE	ACRYL TYPE (FRONT & REAR)
		DRIVER SEPARATOR	P.V.C COATING PIPE
		ENTRANCE SEPARATOR	P.V.C COATING PIPE W/SCREEN
		CEILING HANDLE	P.V.C COATING PIPE (2ROWS) W/BELT
		ENTRANCE HANDLE	P.V.C COATING PIPE
		DRIVER CONSOLE BOX	
Electrical		Accessories	
BATTERY	12V DC/MF-150AH 2PIECE	BUMPER (FRONT & REAR)	STEEL
ALTERNATOR	24V DC/120AMP	OUTSIDE REAR VIEW MIRROR	CONVEX MIRROR
STARTER	24V DC/6.0KW	TOWING HOOK	FRONT & REAR
		FIRE EXTINGUISHER	ABC TYPE (3.3kg)
		SUNSHADE	ACRYL TYPE
		BATTERY STORAGE	STEEL COMPARTMENT
		VENTILATOR	LARGE MANUAL HATCH ON ROOF
		EMERGENCY HAMMER	2EA
		TOOL SET	
Meter & Gauge			
SPEEDOMETER & ODOMETER			
AIR PRESSURE GAUGE (2EA, FRONT,REAR)			
FUEL GAUGE			
VOLTMETER			
TACHOMETER (RPM METER)			
WATER TEMPERATURE GAUGE			
ENGINE OIL PRESSURE GAUGE			
Glass			
WINDSHIELD	3 SECTION LAMINATED WINDSHIELD		
SIDE WINDOW	LARGE HALF OPENING TEMPERED GREEN		
REAR WINDOW	1 SECTION FIXED TYPE TEMPERED GREEN		
DRIVE WINDOW	SLIDING TYPE TEMPERED GREEN		
Seat			
DRIVER SEAT TYPE	AIR SUSPENSION TYPE		
UPHOLSTERY	CLOTH COVERING		
SAFETY BELT	3 POINT WITH ALARM		
PASSENGER SEAT TYPE	FIXED TYPE		
UPHOLSTERY	VINYL LEATHER COVERING		

BC211M / BC211MA / BC212MA OPTION SPECIFICATION

Options		
ENGINE	<ul style="list-style-type: none"> <input type="checkbox"/> DL08 (300ps/115kgf.m, EURO III) <input type="checkbox"/> GE12TI (290ps/115kgf.m, CNG) 	<ul style="list-style-type: none"> <input type="checkbox"/> Gradual parking brake <input type="checkbox"/> Auto slack adjuster
CHASSIS	<ul style="list-style-type: none"> <input type="checkbox"/> Auto T/M <input type="checkbox"/> Auxiliary fuel tank - 110L <input type="checkbox"/> Anti freeze pump <input type="checkbox"/> Air gun set <input type="checkbox"/> Alternator-150AMP <input type="checkbox"/> ABS & ASR <input type="checkbox"/> Auto greaser <input type="checkbox"/> Heavy duty radiator (without fan clutch) <input type="checkbox"/> Twin air horn <input type="checkbox"/> Dual air cleaner filter element 	<ul style="list-style-type: none"> <input type="checkbox"/> Drive separator - Partition type <input type="checkbox"/> 2 step entrance
	<p>SEAT</p> <ul style="list-style-type: none"> <input type="checkbox"/> 26+1 (front/middle door) <input type="checkbox"/> 30+1 (front/middle door) <input type="checkbox"/> Plastic seat 	<p>HVAC</p> <ul style="list-style-type: none"> <input type="checkbox"/> Roof on cooler (24,000/26,000 kcal/h) <input type="checkbox"/> Roof on cooler (28,000/30,000 kcal/h) <input type="checkbox"/> Auto ventilator <input type="checkbox"/> Passenger heater <input type="checkbox"/> Preheater
	<p>TRIM</p> <ul style="list-style-type: none"> <input type="checkbox"/> 2 section upper tinted windshield <input type="checkbox"/> Full opening type side window <input type="checkbox"/> Small half opening type side window <input type="checkbox"/> Colored glass - Bronze <input type="checkbox"/> Destination board - LED type <input type="checkbox"/> Destination board - Dot type <input type="checkbox"/> First aid box <input type="checkbox"/> Emergency escape ventilator 	<p>ELECTRICAL</p> <ul style="list-style-type: none"> <input type="checkbox"/> Analog clock <input type="checkbox"/> Digital clock <input type="checkbox"/> Carvision (back eye camera) <input type="checkbox"/> Stereo with echo <input type="checkbox"/> Tachograph (without RPM) <input type="checkbox"/> Tachograph (with RPM)



DAEWOO BUS

▪ **EXPORTER**

DAEWOO BUS GLOBAL CORPORATION

202-1,Ojung-dong, Ojung-gu, Bucheon, Gyeonggi-do, Korea
Tel:82-32-680-6611~27 Fax:82-32-680-6610
<http://global.daewoobus.com>

▪ **MANUFACTURER**

DAEWOO BUS CORPORATION

188-9,Jeonpo-dong, Busan Jin-gu, Busan, Korea
Tel:82-51-811-4210, 520-5166~9 Fax:82-51-811-4055, 520-5147
<http://www.daewoobus.co.kr>





BC211M / BC211MA / BC212MA